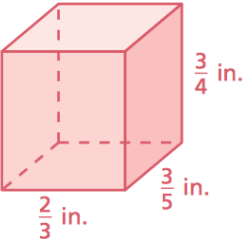
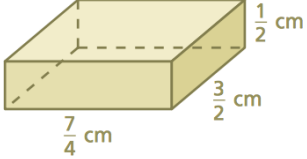
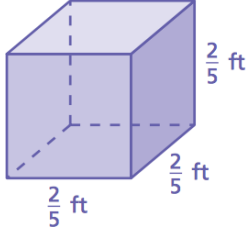
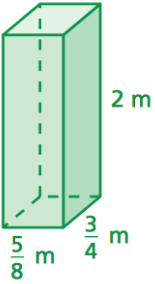
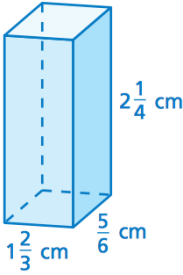
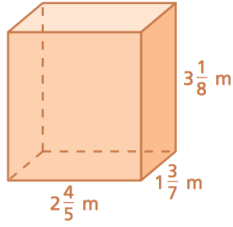

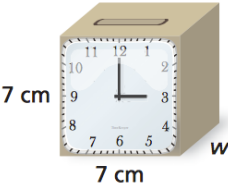
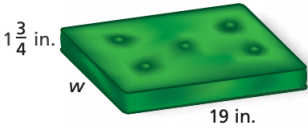


## VOLUME OF RECTANGULAR PRISMS 8.4

Find the volume of the prism.

<p>1.</p> 	<p>2.</p> 	<p>3.</p> 
<p>4.</p> 	<p>5.</p> 	<p>6.</p> 

Write and solve an equation to find the missing dimension of the prism.

<p>7.</p> <p>Volume = <math>1620 \text{ cm}^3</math></p> 	<p>8.</p> <p>Volume = <math>220.5 \text{ cm}^3</math></p> 	<p>9.</p> <p>Volume = <math>532 \text{ in.}^3</math></p> 
----------------------------------------------------------------------------------------------------------------------------------------------	-----------------------------------------------------------------------------------------------------------------------------------------------	------------------------------------------------------------------------------------------------------------------------------------------------

10. One cubic foot of water weighs about 62.4 pounds. How many pounds of water can the fish tank hold when it is full?

