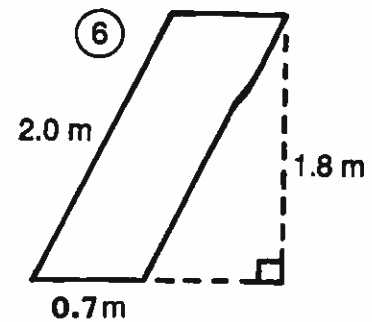
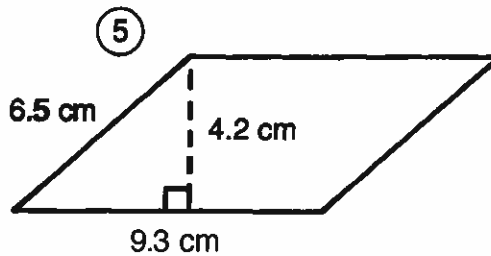
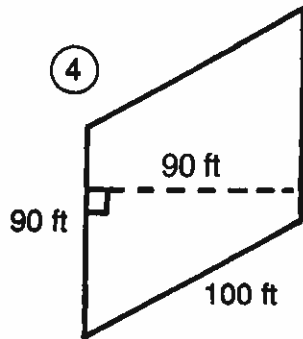
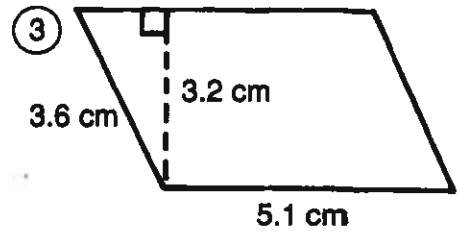
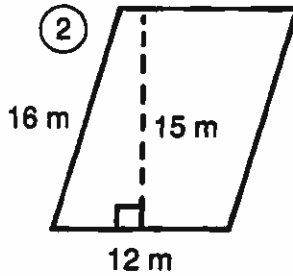
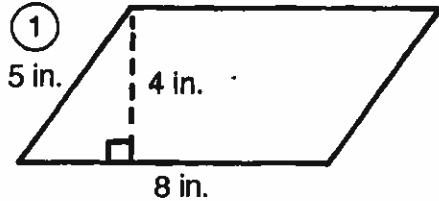


Solve the problems on another piece of paper showing all your work by making boxes.

What Happened to Mr. Meter When Mrs. Meter's Mother Flew in for a Visit?

Cross out the box containing each correct answer. When you finish, write the letters from the remaining boxes in the spaces at the bottom of the page.

I. Find the PERIMETER and the AREA of each parallelogram.



II. Solve.

- 7) The base of a parallelogram is 10 in. The height is 2 in. more than half the base. Find the area.
- 8) The height of a parallelogram is 4.5 cm. The base is twice the height. What is the area?
- 9) The area of a parallelogram is 60 ft². The height is 5 ft. How long is the base?
- 10) The area of a parallelogram is 375 cm². The base is 25 cm. Find the height.

T	SH	HE	RE	E	WE	WA	IT
31.6 cm	17.4 cm	33.8 cm	15 cm	32 in. ²	56 m	1.38 m ²	70 in. ²
SC	A	NT	EN	DA	RE	AL	T
37.6 cm ²	180 m ²	12 ft	18 m	380 ft	1.26 m ²	16.32 cm ²	16 ft
PR	IM	V	ET	TY	IS	ER	IT
5.4 m	350 ft	39.06 cm ²	84 in. ²	40.5 cm ²	26 in.	6.3 m	8,100 ft ²