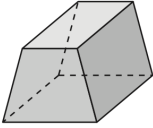
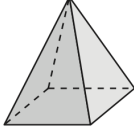
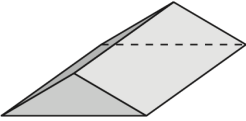


CHAPTER 8 PRACTICE TEST

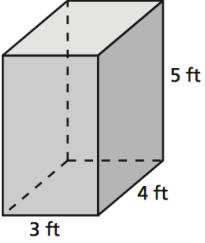
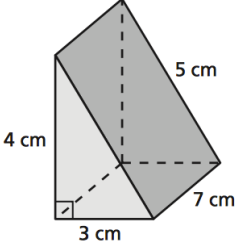
Find the number of faces, edges, and vertices of the solid.

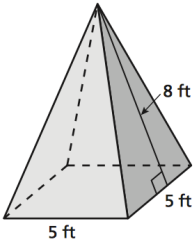
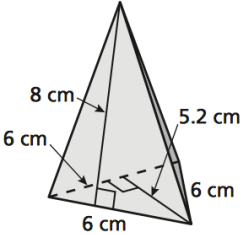
<p>1.</p> 	<p>2.</p> 
---	---

3. Draw the front, side, and top view of the solid.



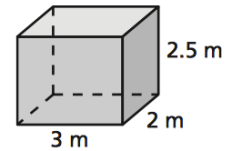
Find the surface area of the solid. For each problem, make a net. Label each part of the net with its dimensions and which part of the solid it represents. Show your work when finding the area of each part and the surface area.

<p>4.</p> 	<p>5.</p> 
--	--

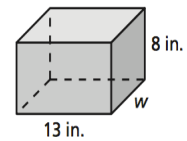
<p>6.</p> 	<p>7.</p> 
---	---

8. A file folder box is in the shape of a rectangular prism with a length of 12 inches, a width of 9 inches, and a height of 10 inches. It is open at the top. Find the surface area of the file folder box.

9. Find the volume of the prism.



10. The rectangular prism has a volume of 936 cubic inches. Write and solve an equation to find the missing dimension of the prism.



11. A raised gardening bed contains 32 cubic feet of dirt. The bed is 6 feet wide and 8 feet long. How deep is the dirt?