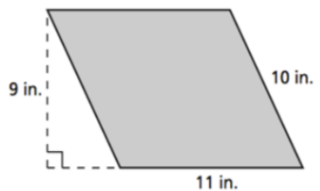
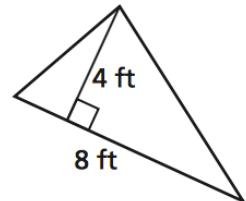
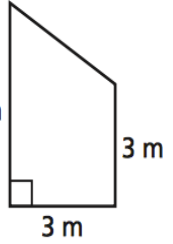
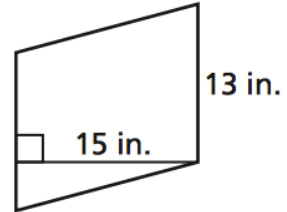


CHAPTER 4 PRACTICE TEST

Find the area of the parallelogram, triangle, or trapezoid.

<p>1.</p> <p>— =</p> <p>— =</p> <p>A =</p> <p>A =</p> <div style="text-align: center; margin-top: 20px;">  </div>	<p>2.</p> <p>— =</p> <p>— =</p> <p>A =</p> <p>A =</p> <p>A =</p> <div style="text-align: center; margin-top: 20px;">  </div>
<p>3.</p> <p>— =</p> <p>— =</p> <p>— =</p> <div style="display: flex; align-items: center; margin-top: 20px;"> <div style="text-align: center;">  </div> <div style="margin-left: 20px;"> <p>A =</p> <p>A =</p> <p>A =</p> <p>A =</p> </div> </div>	<p>4.</p> <p>— =</p> <p>— =</p> <div style="text-align: center; margin-top: 20px;">  </div> <p>A =</p> <p>A =</p>

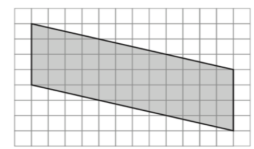
5. Find the area of the figure.

— =

— =

A =

A =



6. The base of a parallelogram is 13.3 yards and the heights 14.7 yards. What is the area?

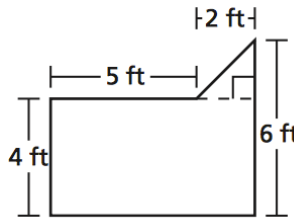
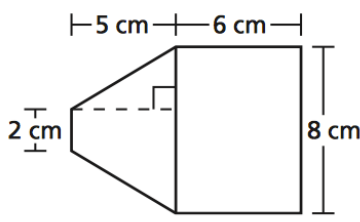
— =

— =

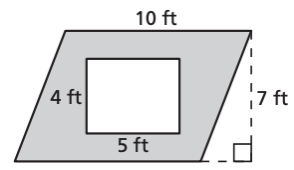
A =

A =

Find the area of the figure.

<p>7.</p>  <p>Area of _____ Area of _____</p> <p>__ = __ =</p> <p>__ = __ =</p> <p>A = A =</p> <p>A = A =</p> <p> A =</p> <p>TA = + =</p>	<p>8</p>  <p>Area of _____ Area of _____</p> <p>__ = __ =</p> <p>__ = __ =</p> <p>__ = __ =</p> <p>A = A =</p> <p>A = A =</p> <p>A = A =</p> <p>A = A =</p> <p>A = A =</p> <p>TA = + =</p>
--	--

9. Find the area of the shaded region

<p>Area of _____.</p> <p>__ =</p> <p>__ =</p> <p>A =</p> <p>A =</p>	<p>Area of _____</p> <p>__ =</p> <p>__ =</p> <p>A =</p> <p>A =</p>	
<p>Area of shaded region -> - =</p>		

10. A trapezoidal window is 8 feet tall and has base lengths of 1 foot and 7 feet. What is the area of the window?

<p>__ =</p> <p>__ =</p> <p>__ =</p>	<p>A =</p> <p>A =</p> <p>A =</p>	<p>A =</p>
-------------------------------------	----------------------------------	------------

11. The base of a triangle is 8 centimeters and the height is 20 centimeters. What is the area of the triangle?

__ = A =

__ = A =

A =

12. The front of a partially collapsed barn is shown. Find the area of the front of the barn.

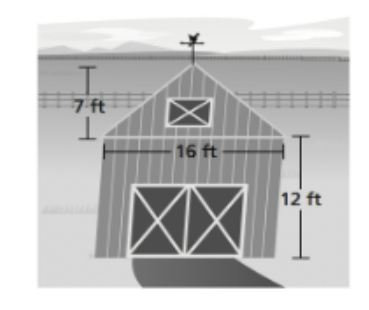
Area of _____ Area of _____

__ = __ =
 __ = __ =

A = A =

A = A =

A =



SENTENCE:

TA = + =

13. Find the area of the figure.

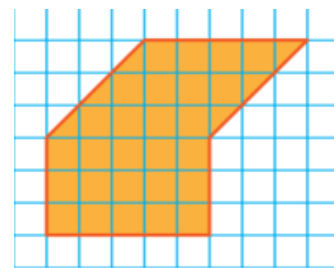
Area of _____ Area of _____

__ = __ =
 __ = __ =

A = A =

A = A =

TA = + =

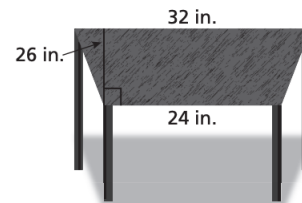


14. What is the area of the top of the desk?

__ = A = A =

__ = A =
 __ = A =

A =



SENTENCE: